

# CSF232BMY11

SAFETY CABINET FOR STORAGE OF FLAMMABLE PRODUCTS WITH FIRE RESISTANCE **Type90** MINUTES CERTIFIED ACCORDING TO **EN14470-1 EN16121**

## Construction

Completely built in steel sheet with thickness 1 / 1.5 mm at cold bent painted with anti-acid epoxy powders and subsequent passage in a thermal tunnel at 200 ° C.

Particular insulation formed by high density fiber panels (free of Fibroc ceramic) for high temperatures (800 ° C) and calcium sulphate panels.

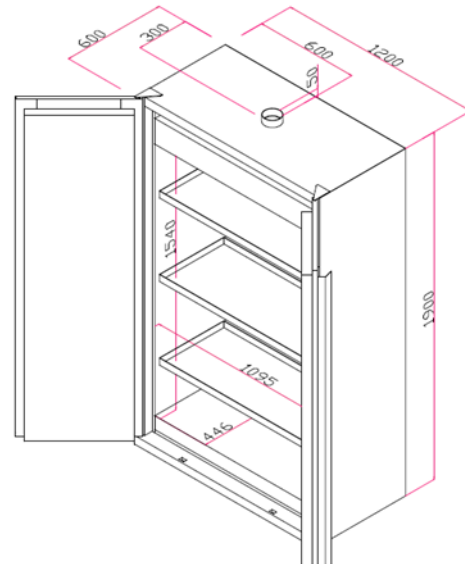
Internal finishing panels in melamine laminate with high resistance to even aggressive vapors.

Certification according to the new EN 14470-1 standard.

## Specifications

- Hydraulic closing of doors with a temperature above 47 ° C
  - Lock with key and door lock
  - Adjustable feet
  - Automatic closing valves (70 ° C) for air inlet and outlet products, certified 90 minutes, placed on the top and bottom of the cabinet.
  - Ejection hole diam. 100mm on the roof of the cabinet.
  - Sparkproof hinge
  - 3cm thermo-dilating gasket.
  - 3 epoxy coated steel tray shelves (16L≈ capacity), certified 80Kg capacity.
- Size: 1093x420x39h mm, adjustable in height with steel pins on a painted steel rack.
- Painted steel bottom tank with support grid.
- Dimension: 1093x445x100h mm (45L≈ capacity).
- "Earth" terminal to prevent electrostatic charges.
  - Weight: 390Kg
  - Dimensions
- External: 1200x600x1950h mm  
Internal: 1095x446x1540h mm

## Technical drawing



## Image

